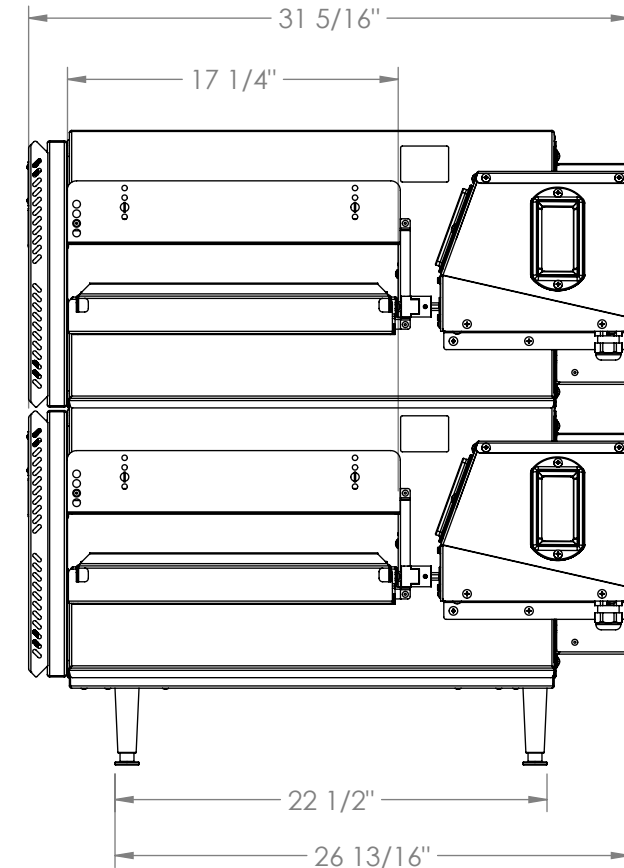
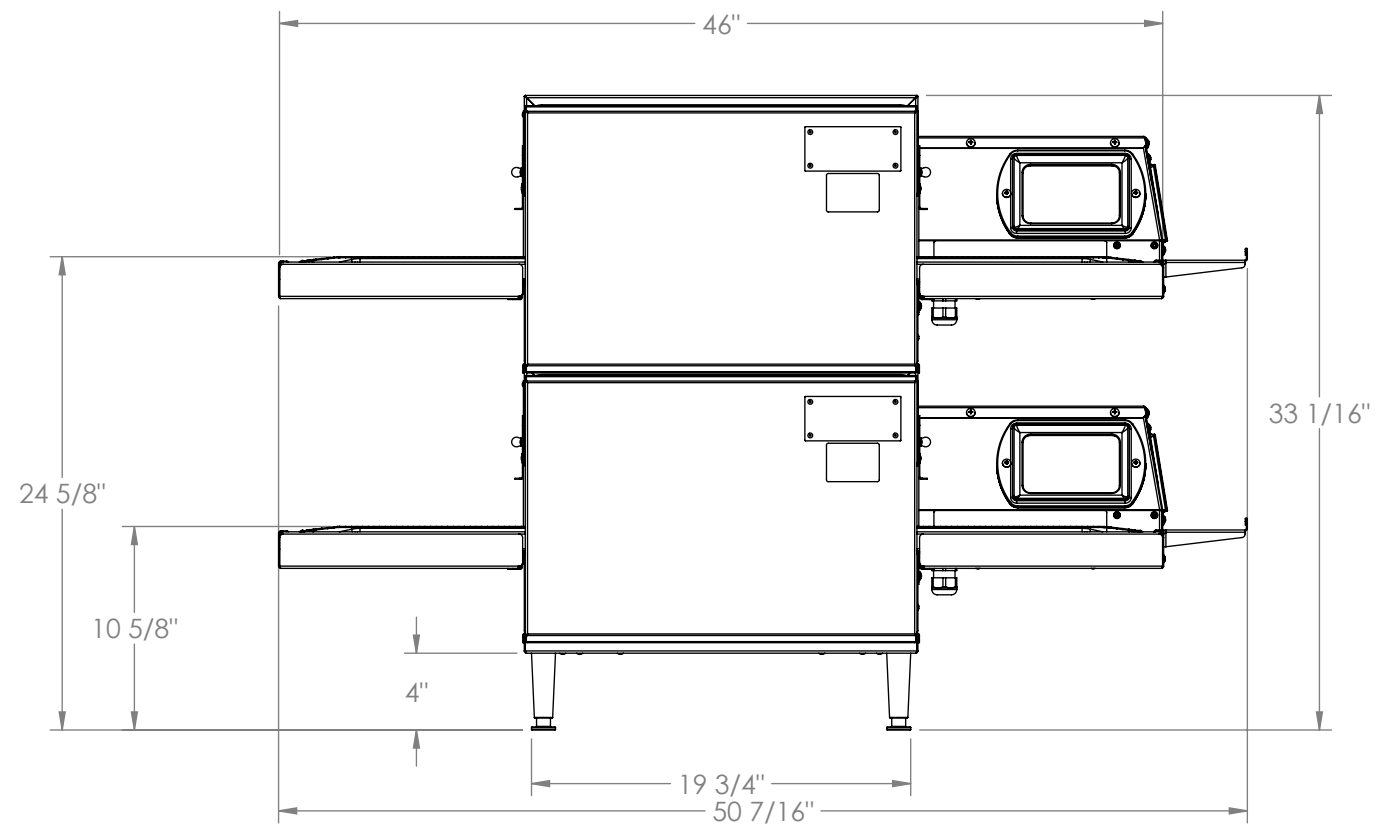


SmartSolutions™

# 1620 Counter Top Oven

## Double Stack Electric



THE INFORMATION CONTAINED IN THIS DRAWING IS THE SOLE PROPERTY OF XLT INC. ANY REPRODUCTION IN PART OR WHOLE WITHOUT THE WRITTEN PERMISSION OF XLT INC IS PROHIBITED.